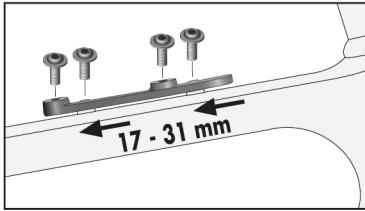
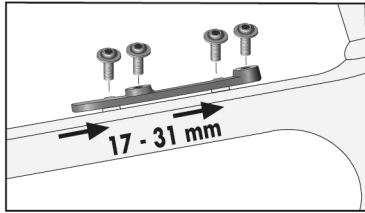
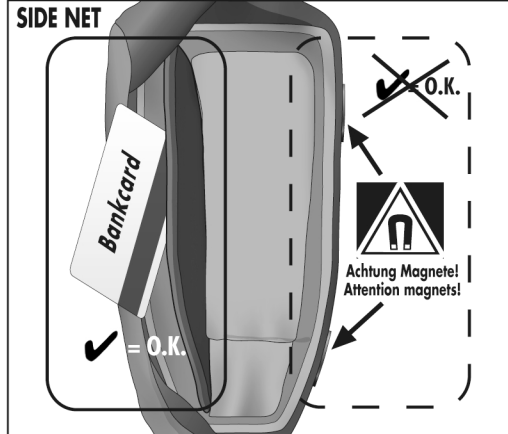
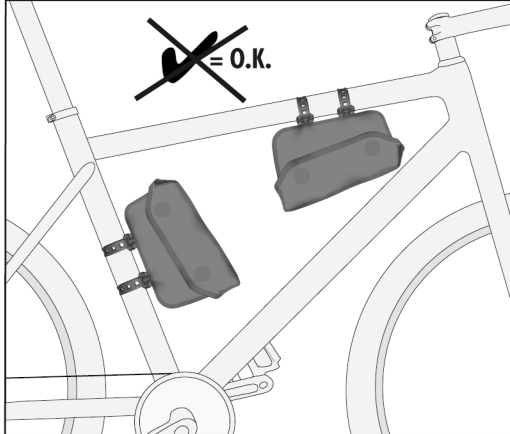
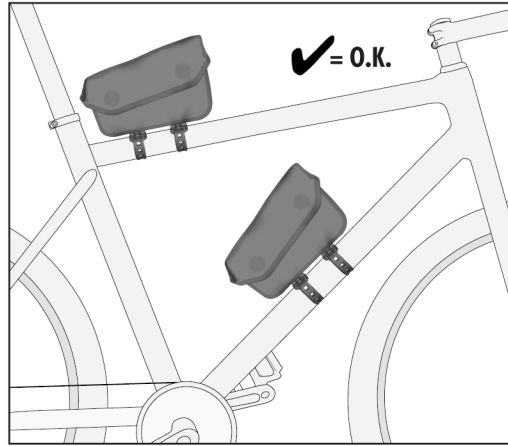


3.1 ACCESSORY

F9964
Offset-Plate
64 mm



OPTION

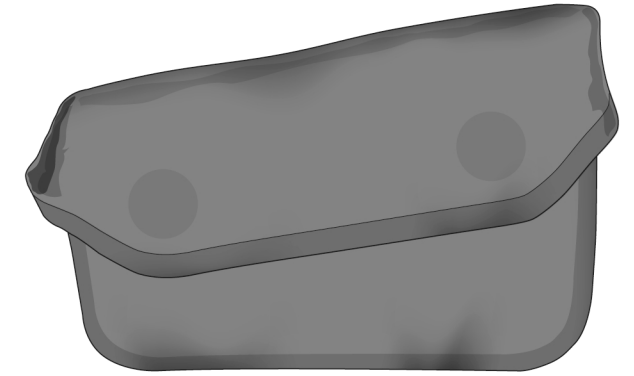


FUEL-PACK

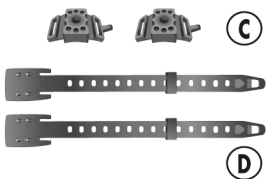
O-STRAP BOTTLE CAGE MOUNT (see 4.1.)



- DE MONTAGEANLEITUNG
- GB ASSEMBLY INSTRUCTIONS
- FR INSTRUCTIONS DE MONTAGE
- IT ISTRUZIONI DI MONTAGGIO
- NL MONTAGE HANDLEIDING
- DK MONTERINGSVEJLEDNING
- ES INSTRUCCIONES DE MONTAJE
- SE MONTERINGSANVISNING
- NO MONTERINGSANVISNING
- FI ASENNUSOHJEET
- PL INSTRUKCJA MONTAŻU
- JP 装着方法

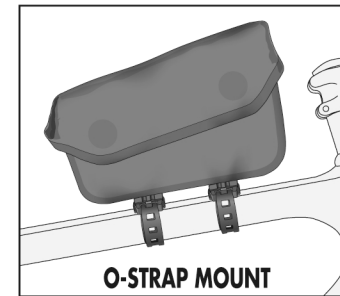
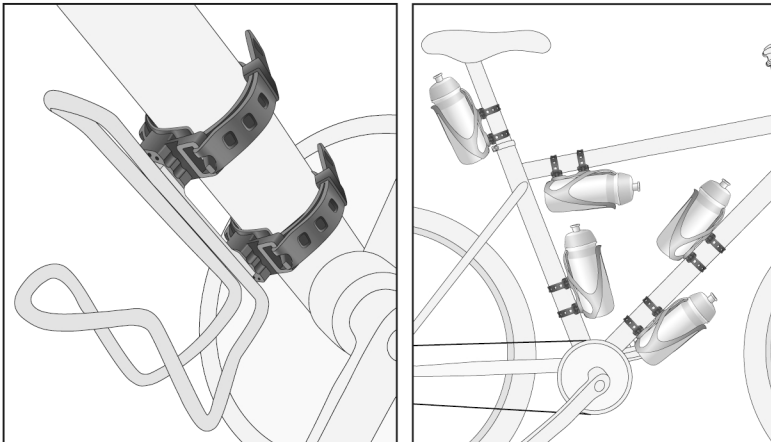


4.1 ADDITIONAL USE OR ACCESSORY: BOTTLE CAGE MOUNT



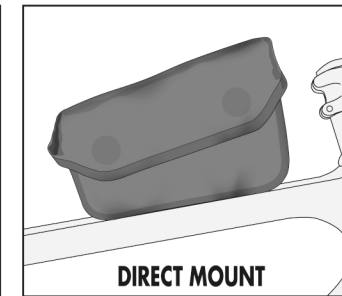
max. 1L

F9966 O-Strap
Bottle Cage Mount



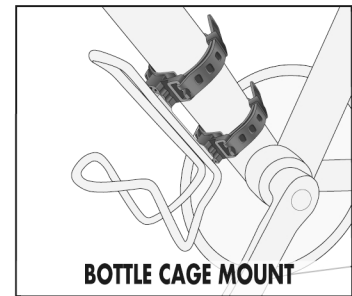
O-STRAP MOUNT

OPTION 1 (1.1 - 1-6)



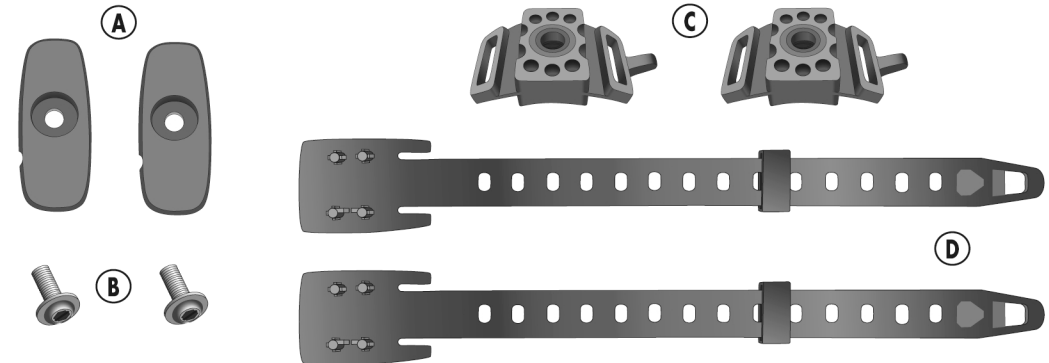
DIRECT MOUNT

OPTION 2 (2.1 - 2.4)

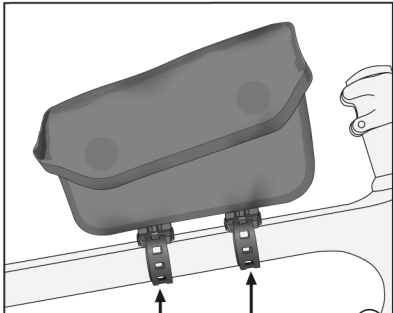


BOTTLE CAGE MOUNT

OPTION 3 (4.1)

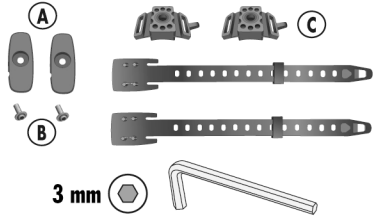
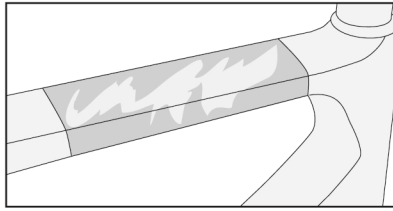


1.1 O-STRAP MOUNT

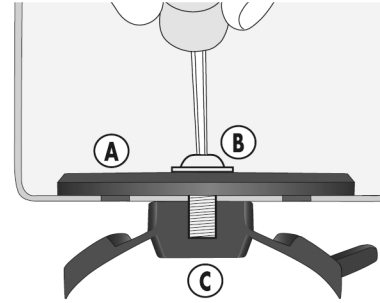
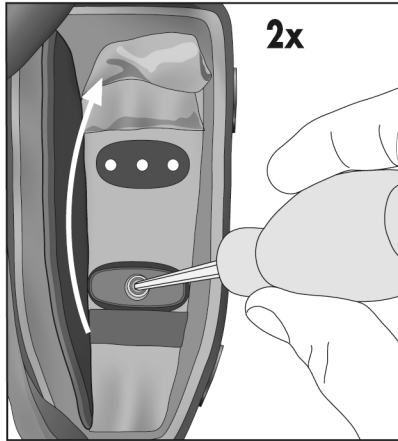


UM KRATZER ZU VERMEIDEN, BENUTZE RAHMENSCHUTZ-FOLIE AN DEN KONTAKTSTELLEN (nicht beinhaltet)
TO AVOID SCRATCHES, USE ADHESIVE FRAME PROTECTION AT CONTACT POINTS (not included)

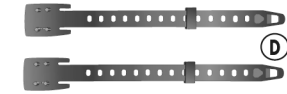
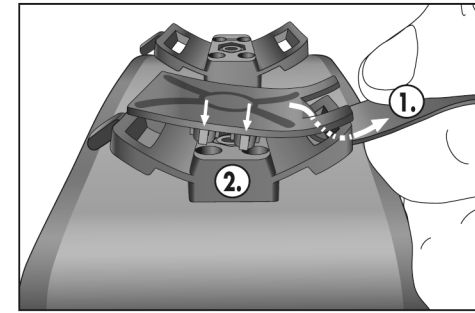
1.2



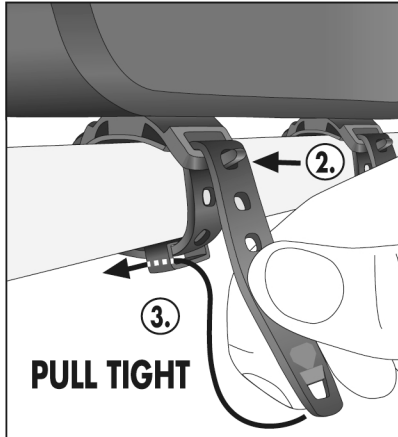
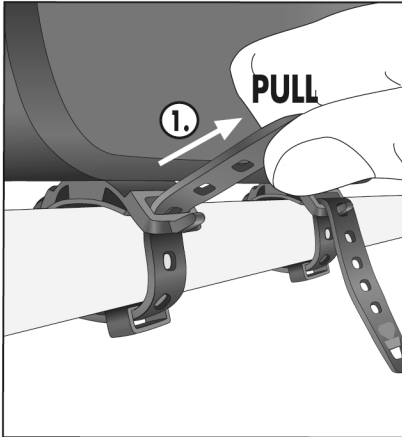
1.3



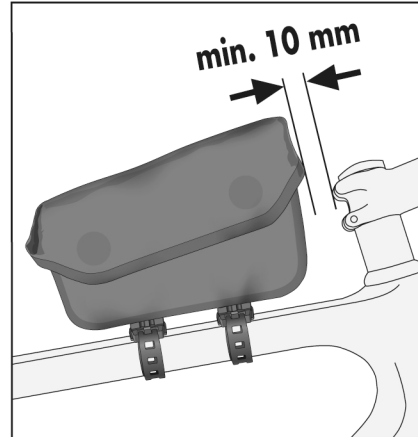
1.4



1.5 MOUNT



1.6



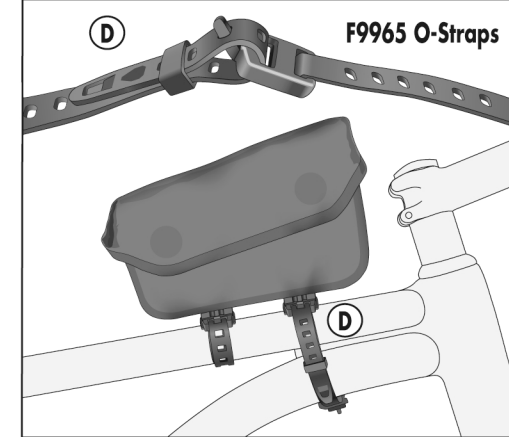
! ACCESSORY



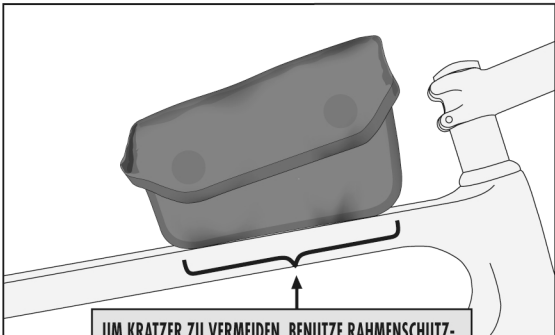
> 60 mm
USE



F9965 O-Straps
14,5/200 mm
as extension

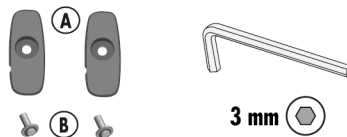
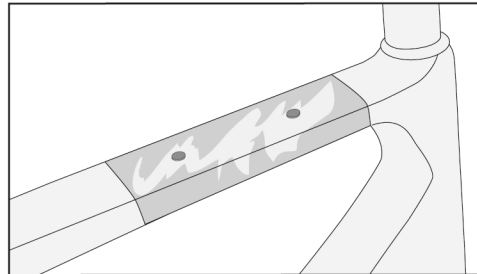


2.1 DIRECT MOUNT

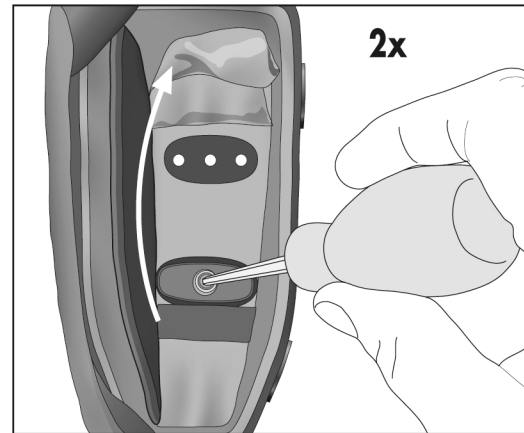


UM KRATZER ZU VERMEIDEN, BENUTZE RAHMENSCHUTZ-FOLIE AN DEN KONTAKTSTELLEN (nicht beinhaltet)
TO AVOID SCRATCHES, USE ADHESIVE FRAME PROTECTION AT CONTACT POINTS (not included)

2.2



2.3



2.4

