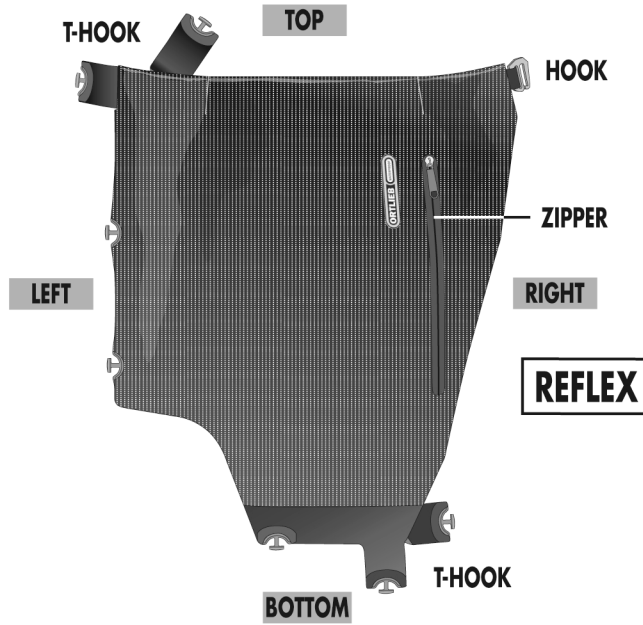


FLAP HIGH VISIBILITY FOR VARIO PS MODELS



- DE MONTAGEANLEITUNG
- GB ASSEMBLY INSTRUCTIONS
- FR INSTRUCTIONS DE MONTAGE
- IT ISTRUZIONI DI MONTAGGIO
- NL MONTAGE HANDLEIDING
- DK MONTERINGSVEJLEDNING
- ES INSTRUCCIONES DE MONTAJE
- SE MONTERINGS ANVISNING
- NO MONTERINGS ANVISNING
- FI ASENNUSOHJEET
- PL INSTRUKCJA MONTAŻU
- JP 装着方法

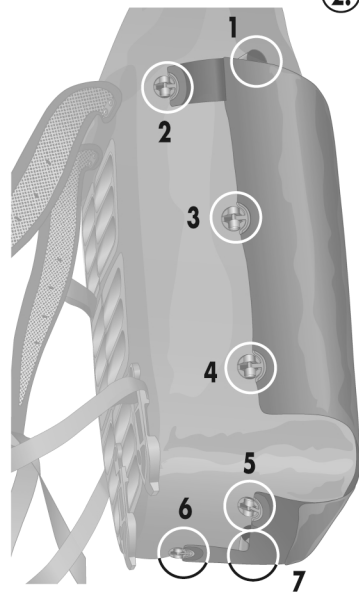


1 REMOVE FLAP

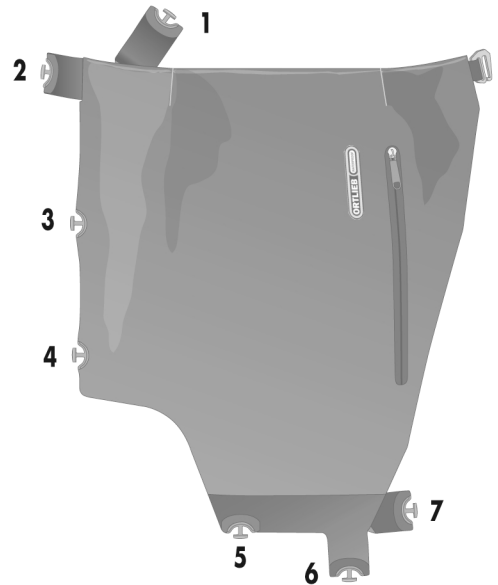
1. RELEASE HOOK



2. UNHOOK T-HOOKS



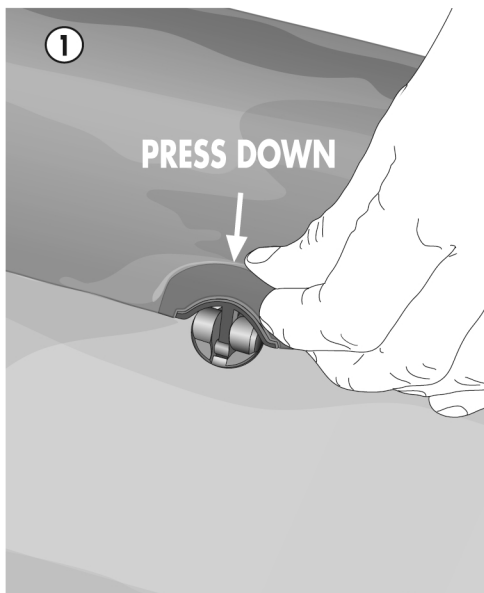
7 x



2 UNHOOK T-HOOKS

1

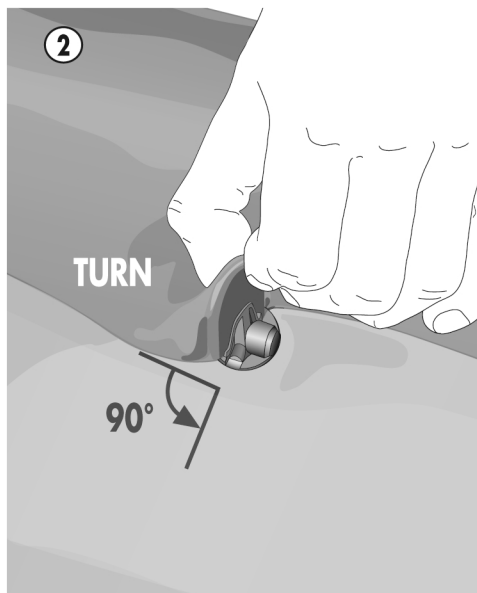
PRESS DOWN



2

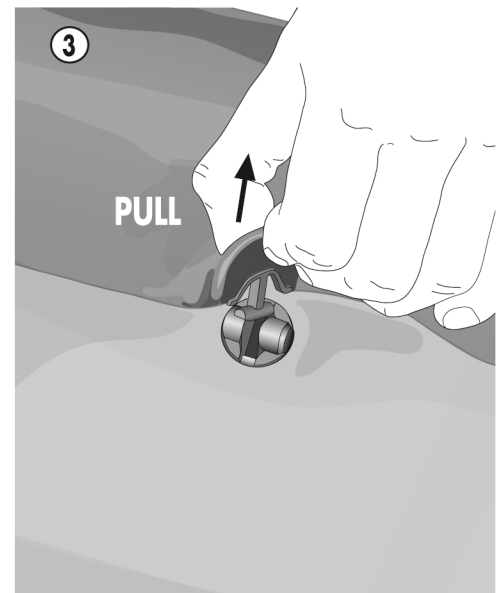
TURN

90°



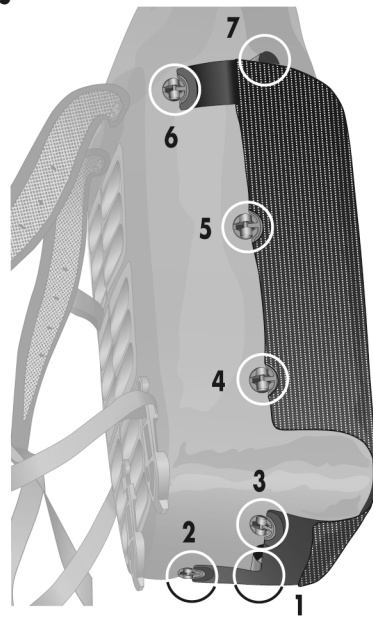
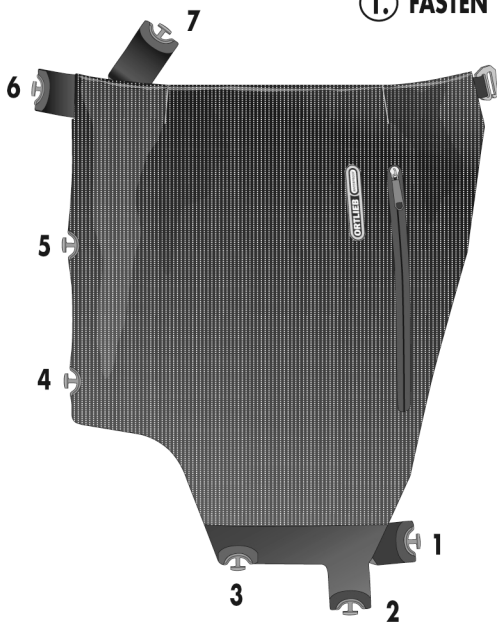
3

PULL



3 ATTACH FLAP HIGH VISIBILITY

①. FASTEN T-HOOKS



②. FASTEN HOOK



4 FASTEN T-HOOKS

