

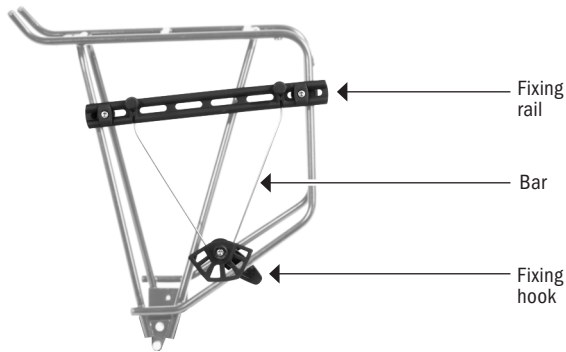
PRODUCT INFO

QUICK-LOCK3.1 SYSTEM

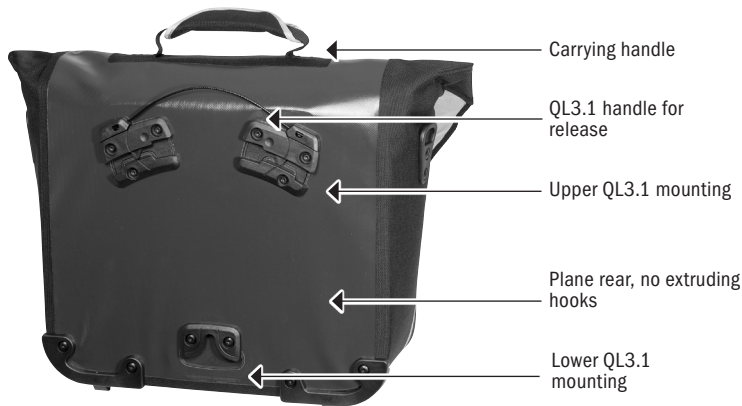
Mounting system for panniers, automatically closing

QL3.1
system

PVC
free



Mounting example



Example: rear view of QL3.1 bag

Weight g/oz

112/4.0

SPECIFICATIONS:

- + Innovative mounting system for bike panniers especially for city and commuting panniers
- + Single handed use
- + Automatic locking and removing of bag by lifting the handle
- + Lower fixing point is inserted first, followed by lateral movement of top mountings from left to right or vice versa
- + Main components are fixed to the rack thus providing a clean reverse side comfortable to carry
- + Mounting rail can be fixed on left or right side, on vertical or horizontal rail of rack; compatible with rack tube diameters up to 10 mm
- + Adjustable height and angle for better legroom
- + Lower hook rotatable in 360° steps (24 steps each 15°) for individual adaption to rack
- + Compatible with QL1, QL2 and QL2.1 systems
- + Compatible with ORTLIEB Rack Three with integrated QL3/QL3.1 mounting (direct mounting without requiring mounting rail)
- + Top of rack remains free for baskets, boxes etc.

Optional accessory: QL3.1 mounting set for second bike, QL3.1 mounting clamps for rack diameters 11 to 16 mm

Attention: Maximum load per pannier is 9kg / 20 lbs. We recommend weighing each loaded pannier to confirm that the maximum allowance of the pannier fixation is not exceeded. This practice is advised for both rear and front panniers. **CAUTION:** The maximum weight capacity of every carrier model is different. Please observe the maximum weight allowance of the carrier fitted to your bicycle. Note: Sometimes the maximum capacity of the panniers fixing system can exceed the maximum capacity of the carrier. **DO NOT** exceed the maximum capacity of the carrier! Note, that the use of panniers will significantly influence the handling properties of your bicycle.

