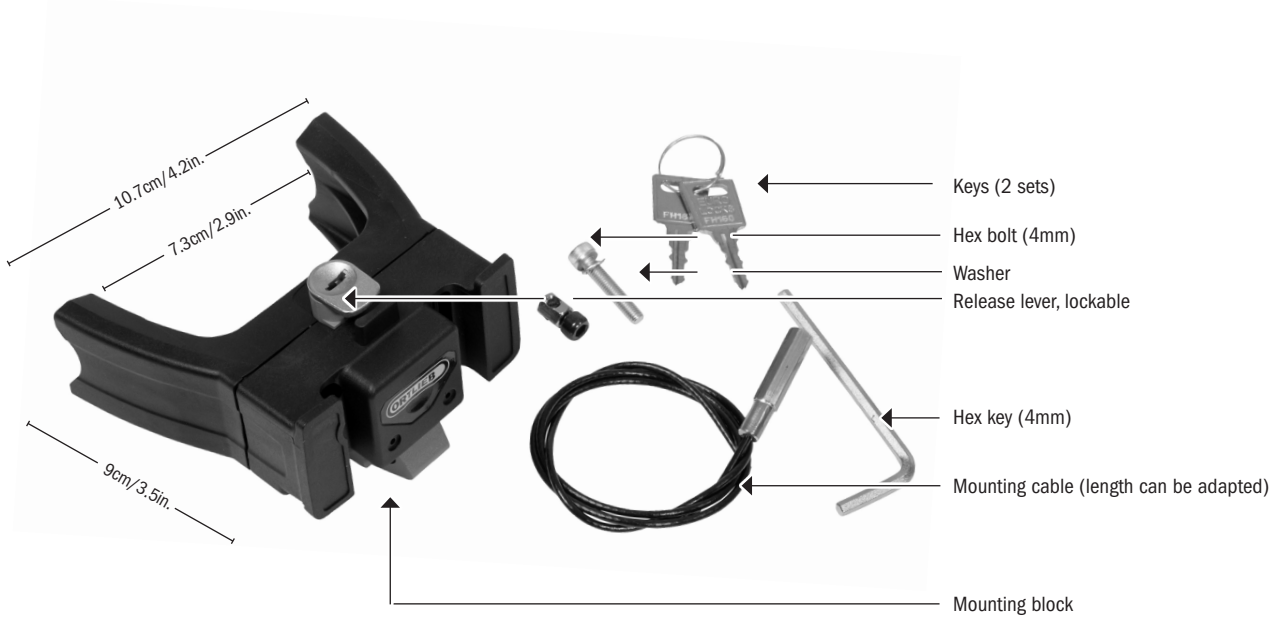


PRODUCT INFO

HANDLEBAR MOUNTING-SET E-BIKE WITH LOCK

E-Bike mounting system for handlebar bags and baskets - with lock

PVC
free



article code	weight g/oz	max. load kg/lbs.
E207	150/5.3	5/11

SPECIFICATIONS:

- + Lockable adapter for mounting ORTLIEB handlebar bags or baskets in combination with E-bike displays
- + Broad adapter allows mounting with known easy cable fixing
- + Simple and fast mounting with only one cable
- + Mounting fits to all handlebars with diameter up to max. 35,0 mm
- + Handlebar bag can be locked to handlebar
- + Comes with 2 sets of keys which can also be ordered if serial number is available
- + Compatible with the bags and baskets by other brands (e.g. Rixen&Kaul KLICKfix system)

Contents: Handlebar Mounting-Set E-Bike (article code E207), lockable mounting block with 2 sets of keys, cable with attachment, hexagon key (4 mm), mounting bolt, washer, mounting instructions

Optional accessories: Alternatively we offer the adapter Handlebar Mounting-Set E-Bike (art. code E226) - not lockable

Attention:

- + Maximum load 5 kg/11 lbs.!
- + Do not use with carbon handlebars!

Note: Keep key number in a safe place in case you need to reorder keys

