

PRODUCT INFO

BIKE-PACKER PLUS

Rear pannier pair with lid and QL2.1 system

PFAS free

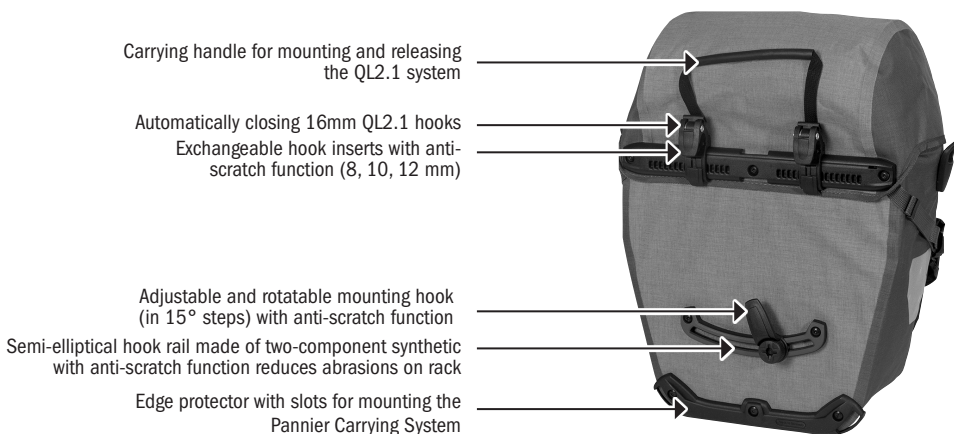
IP 54

Anti scratch

QL2.1 system

PS36C

PVC free



Height cm/in	Width cm/in	Depth cm/in	Volume L/cu.in.	Weight g/oz.	Max. capacity kg/lbs.
42/16.5	23/32 9/12.6	22/8.7	42/2563 (pair)	2200/77.6 (pair)	18/39.6 (pair)

SPECIFICATIONS:

- + Pannier pair with lid closure and large packing volume
- + PU-laminated Cordura
- + QL2.1 mounting system for racks with max. 16 mm tube diameter
- + 18 mm & 20 mm hook available as separate accessory (e.g. for E-bikes)
- + Reduction inserts for tube diameters 8, 10 und 12 mm with anti-scratch function preventing abrasion on the rack
- + Hooks adjustable without requiring tools
- + Lower hook rail made of two-component hard-soft synthetic with anti-scratch function protecting the rack
- + Including integrated inner pocket and shoulder strap
- + Due to its symmetrical form it is possible to use only one bag on left or right side
- + The dust flap - with easily operable pull cord - under the lid provides protection e.g. against water, dust and snow
- + The edge protector prevents contact with spokes and abrasion
- + Highly reflective 3M Scotchlite reflector
- + Easy to clean inside

Contents: Panniers comes with shoulder strap, reduction inserts 8, 10 and 12 mm (2 pairs per size)

Optional accessories: Packing Cubes/Commuter Insert for Panniers, Pannier Carrying System, Anti-Theft-Device (E125), Outer Pocket 2,1 L, Mesh-Pocket, Bottle-Cage, QL2.1 hook 18mm (E211) & 20mm (E193); QL2 Lock / QL2 Lock keyed alike (F3913/F3915)

Attention: Maximum load per pannier is 9kg / 20 lbs. We recommend weighing each loaded pannier to confirm that the maximum allowance of the pannier fixation is not exceeded. This practice is advised for both rear and front panniers. CAUTION: The maximum weight capacity of every carrier model is different. Please observe the maximum weight allowance of the carrier fitted to your bicycle. Note: Sometimes the maximum capacity of the panniers fixing system can exceed the maximum capacity of the carrier. DO NOT exceed the maximum capacity of the carrier! Note, that the use of panniers will significantly influence the handling properties of your bicycle.

Attention: As abrasion cannot be ruled out, we recommend that all points where the mounting system contacts the bicycle rack or frame be protected by scratch protection film.

Note: In order to meet standard IP54 (5=protected against dust, 4=protected against splash water coming from all directions) the lid must be properly closed.

